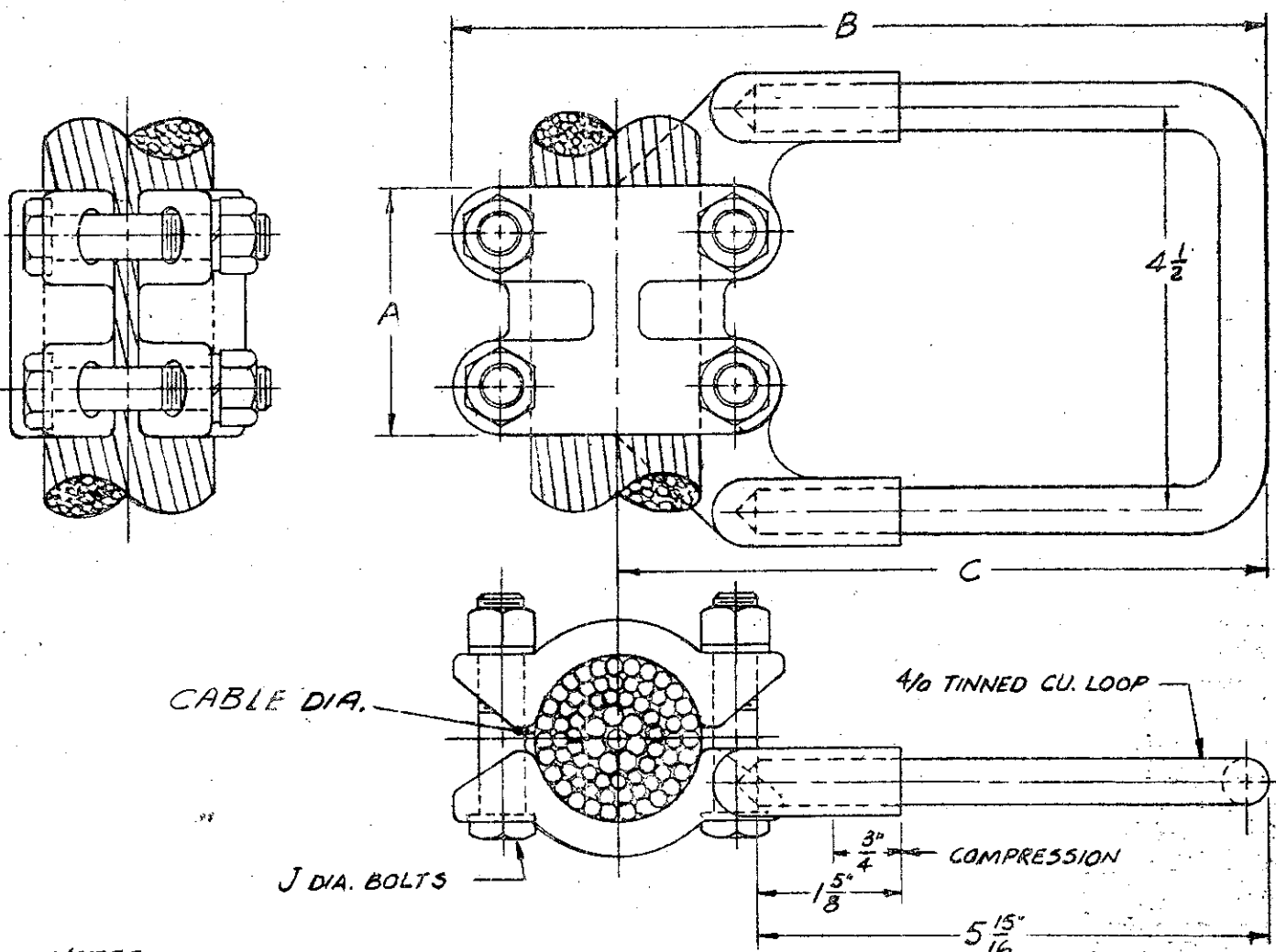


REVISIONS	DATE	NO.	DESCRIPTION	BY
	3-30-94	4	ACHLS-16 "B" WAS 9 3/16" "C" WAS 7 9/16"	IRH



**NOTES:**

1. MATERIAL: BODY & CAP - 356T6 ALUMINUM ALLOY  
LOOP - TIN PLATED COPPER  
BOLTS - 2024-T4 ALUMINUM ALLOY; WASHERS - 7075-T6 ALUMINUM ALLOY  
NUTS - 6061T6 ALUMI.
2. CATALOG NUMBERS WITH "M" SUFFIX WILL HAVE MULTICAPS, WHICH WILL PROVIDE A WIDER CABLE RANGE. EXP. - ACHLSM-13.

CATALOG NUMBER	DIMENSIONS IN INCHES					CABLE SIZE
	DIA.	B	C	A	J	
ACHLS-9	.681-.893	8 3/8	7	3 1/4	1/2	336.4 - 477 MCM ACSR 350 - 600 MCM ALUMINUM
ACHLS-13	1.081-1.293	9	7 3/8	3 3/4	5/16	715.5 - 1113 MCM ACSR 900 - 1250 MCM ALUMINUM
ACHLS-16	1.382-1.632	10 3/16	8 3/16	4 1/2	5/16	1272 - 45/7 - 1590 54/19 ACSR 1500 - 2000 MCM ALUMINUM
ACHLS-21	1.824-2.000	9 7/8	7 5/8	5	5/8	2500 - 3000 MCM AL.

REVISIONS	DATE	NO.	DESCRIPTION	BY
	10-3-75	1	REV. TO SHOW CAT. NO'S	J.J.S.
	3-17-76	2	"A" DIA. WAS D DIM.	J.J.S.
	9-12-79	3	ADDED NOTE #2 & SHEET 2	MDY

R/12/34

8-6-75  
 BY JJS CKD BY  
 APPROVED

**STIRRUP CLAMP**  
 BOLTED CABLE CLAMP TO  
 #4/0 TINNED COPPER LOOP

ANDERSON ELECTRIC CORP.  
 BIRMINGHAM ALABAMA  
 CAT. NO. ACHLS (SEE TAB) DWG. NO. C-7854

CATALOG NUMBER	DIMENSIONS IN INCHES					CABLE SIZE
	DIAMETER	B	C	A	J	
ACHLSM-15	.806 - 1.293	9	1 7/8	3 3/4	5/8	600-1250 MCM 472 1113 ACSR


REVISIONS			
DATE	NO.	DESCRIPTION	BY

REVISIONS			
DATE	NO.	DESCRIPTION	BY

R104

DATE 9-12-79
DWN BY HDY CKD BY
APPROVED
SCALE DO NOT

STIRRUP CLAMP  
 BOLTED CABLE CLAMP TO  
 #40 TINNED COPPER LOOP

 <b>ANDERSON</b> ELECTRICAL CONNECTORS SQUARE D COMPANY LEEDS ALABAMA	
CAT. NO. ACHLS (SEE TAB)	DWG. NO. C-7854